



- Available from 1/2" to 2" BSP
- 230V power supply
- Normally closed, direct action valves
- Operating pressures;
 - Water - 0 ~ 10kgf/cm²
 - Oil - 0 ~ 5
 - Air - 0 10~
- Suitable for water, air, light oil, hot water and gas
- Brass body construction
- NBR or VITON seals

Application

The ZS series water valves are designed for use with water, air, light oil, hot water and gas. They are available from 1/2" up to 2" BSP threaded connection.

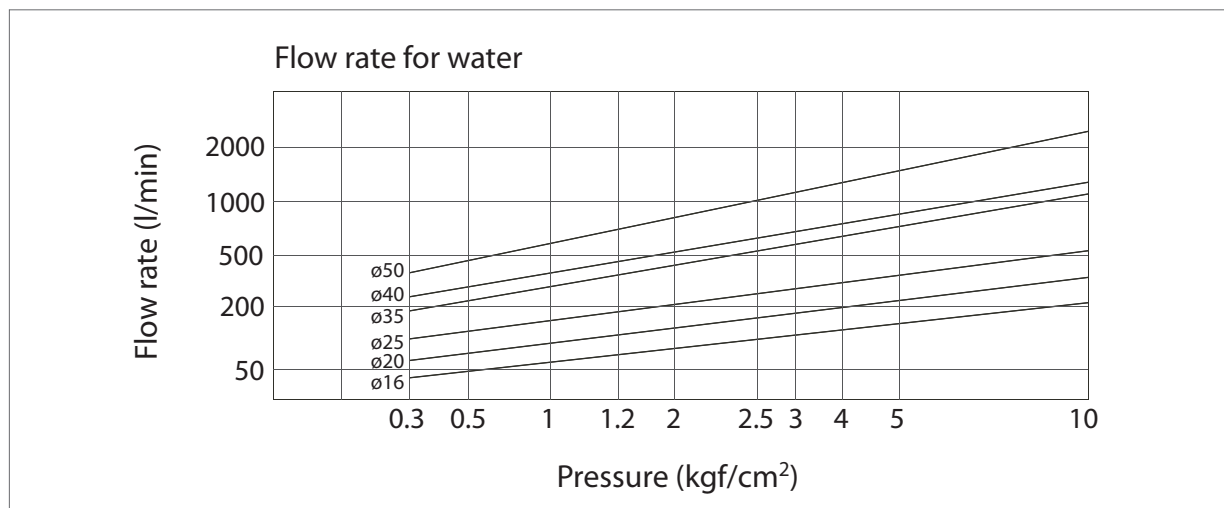
Operation

ZS water valves are in a normally closed state when energised. Therefore by closing a circuit to them they become the perfect means for isolating a source.

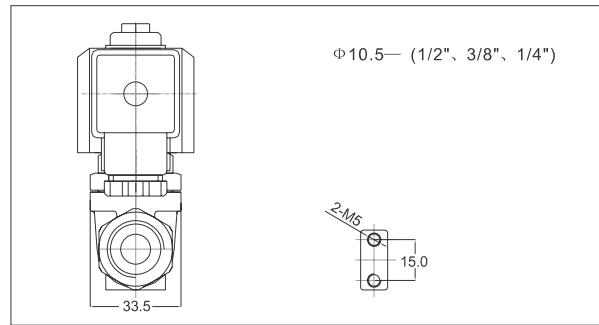
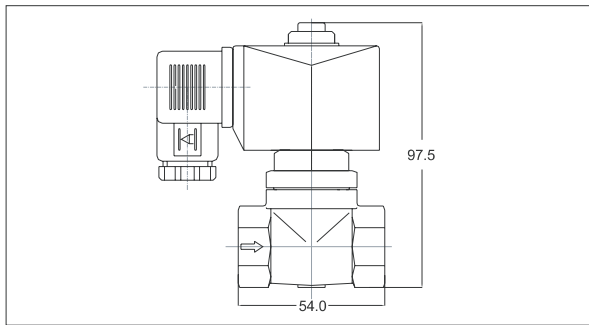
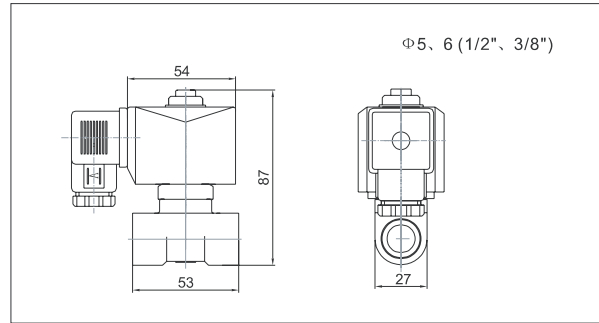
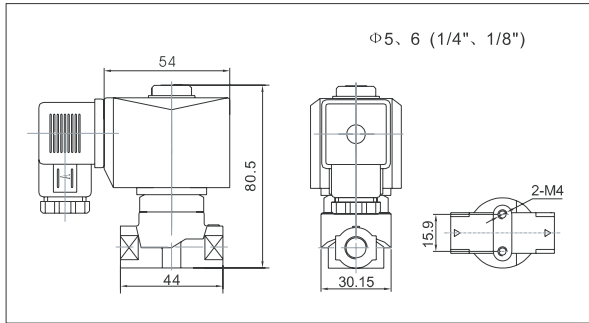
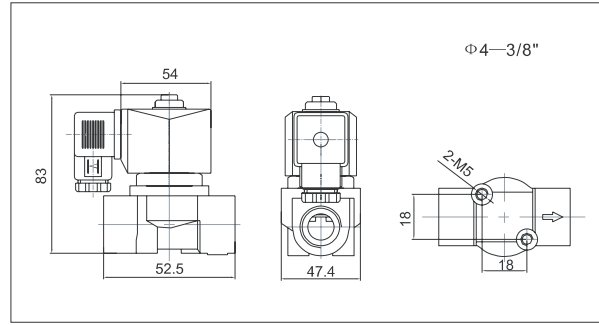
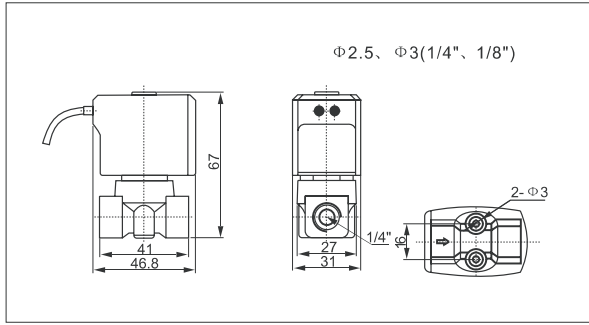
Dimensions

Model	L (mm)	H (mm)	Port size
ZS15	69	117	1/2"
ZS20	73	123.5	3/4"
ZS25	99	134.5	1"
ZS35	123	172	1 1/4"
ZS40	123	172	1 1/2"
ZS50	168	209	2"

Flow rates



Dimensions



Specification

Model	ZS15	ZS20	ZS25	ZS35	ZS40	ZS50
Fluid	Air, Water, Oil, Hot Water, Gas					
Operation way	Direct Action					
Type	Normally Closed					
Diameter of flow	16	20	25	35	40	50
CV value	4.8	7.6	12	24	29	48
Diameter of connection	1/2"	3/4"	1"	1 1/4"	1 1/2"	2
Fluid viscosity	Under 20 CST					
Operation pressure	Water (Hot water) : 0 ~ 10 Air : 0 ~ 10 Oil : 0 ~ 5kgf/cm ²					
Sea keeping pressure	16kgf/cm ²					
Media temperature	-5 ~ 120°C					
Voltage range	± 10% Voltage: AC220V AC110V DC24V					
Material of body	Brass					
Material of seal	NBR or VITON					

